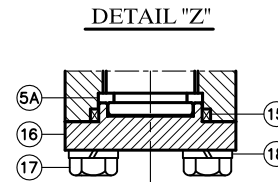
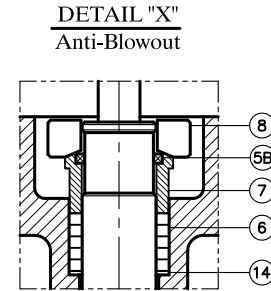
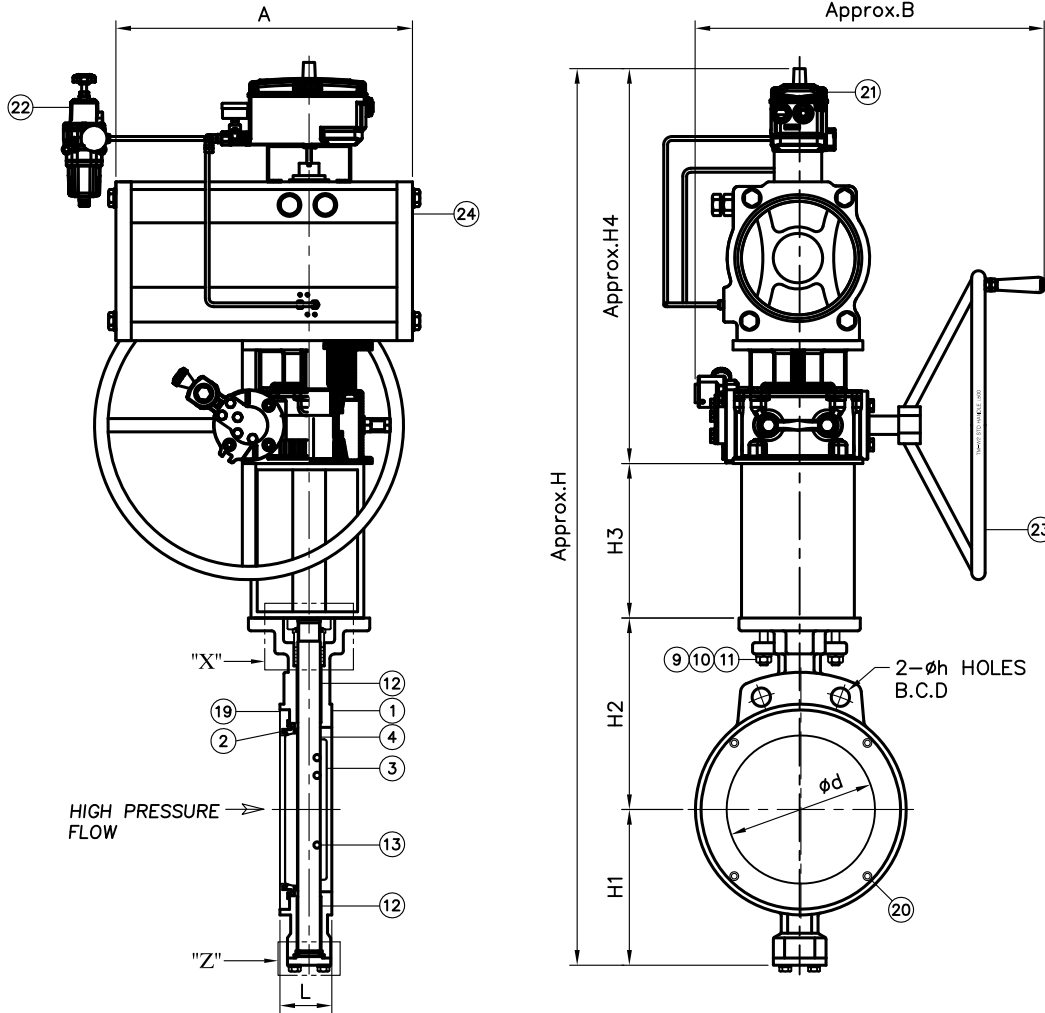


Size		d	L	B.C.D	øh	H	H1	H2	H3	H4	A	B
inch	mm											
12	300	277	81	431.8	25.4	1475	265	310	250	650	480	565



Material According to ASTM

No.	Part Name	Material	Q'ty	Remarks
1	Body	A216-WCB	1	
2	Seat Ring	A240-310	1	
3	Disc	A351-CF8M / ENP	1	
4	Stem	A564-630 (17-4PH)	1	
5A	Retainer Ring	A276-316	1	
5B	Anti-Blowout Ring	A276-316	1	
6	Packing	GRAPHITE	1set	
7	Packing Gland	A276-316	1	
8	Gland Flange	A351-CF8	1	
9	Gland Bolt	304 Stainless Steel	1set	
10	Gland Nut	304 Stainless Steel	1set	
11	Spring Washer	304 Stainless Steel	1set	
12	Bush Bearing	A240-316 & ENP	2	
13	Disc Pin	A564-630 (17-4PH)	1set	
14	Packing Retainer	A276-316	1	
15	Cap Packing	GRAPHITE	1	
16	Cap	A216-WCB	1	
17	Cap Bolt	A2-70	1set	
18	Spring Washer	304 Stainless Steel	1set	
19	Seat Retainer	AISI-1020	1	
20	Retainer Bolt	A2-70	1set	
21	POSITIONER	YT-3300RD	1	
22	AIR SET	YT-200	1	
23	Manual Handwhell	TM-W2DCM	1	
24	ACTUATOR	HP-211D	1	

Note

- Design : ANSI B16.34 & API 609
- Face to Face Dimension : API 609 Category B
- Flange Connection : ANSI B 16.5 Class 150
- Figure No. : 4WA1-W610-D-N(03M)

△	Date	Revision	Checked	Approved
Test Pressure (Barg)		Hydraulic		Air
API 598		Shell	30	Seat
		22	Seat	-
TA valve Corporation				
Title				Scale
High Performance Butterfly Valve				NS
Class 150 - Wafer Type				Projection
DWG No.		File No.		Unit
1701-Q0901-12BA		1701Q0901_12BA		mm
Date	Drawn	Checked	Approved	
'17.01.24	Kimss	Parksh	Choiyy	