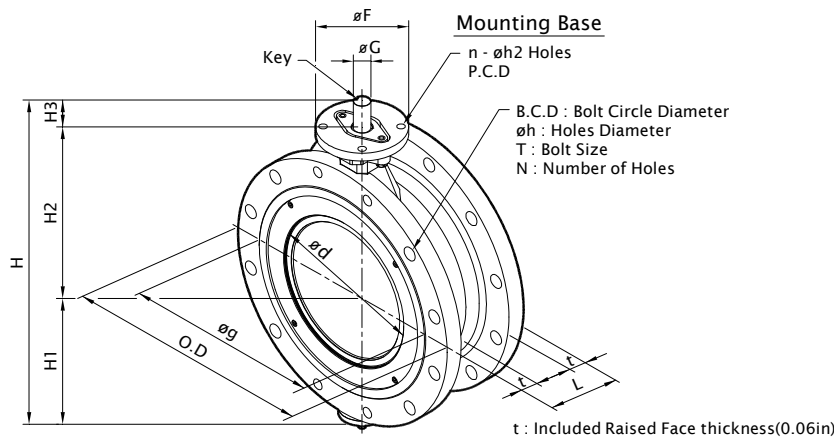
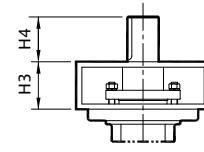


Dimensions - Flanged Type

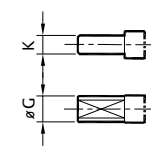
SERIES 400 High Performance Valve



40inch & Larger
Application : Bracket



Shaft Flat Head
2inch to 8inch



Class 150 (ANSI B16.5, ANSI B16.47 Series A)

Size mm inch	ød	L	O.D	øg	t	H	H1	H2	H3	H4	K	øG	øF	Flange Dimensions				Mounting Dimensions		
														B.C.D	øh	T	N	P.C.D	n	øh2
50 2	47 1.85	108 4.25	152.4 6.00	91.9 3.62	19.1 0.75	257 10.12	100 3.94	125 4.92	32 1.26	-	9.5 0.374	14.0 0.551	102 4.02	120.7 4.75	19.1 0.750	5/8"x11unc	4	82.6 3.25	4	11 0.43
65 2.5	61 2.40	112 4.41	177.8 7.00	104.6 4.12	22.4 0.88	283 11.15	102 4.02	149 5.87	32 1.26	-	11.1 0.437	15.9 0.626	102 4.02	139.7 5.50	19.1 0.750	5/8"x11unc	4	82.6 3.25	4	11 0.43
80 3	72 2.83	114 4.49	190.5 7.50	127.0 5.00	23.9 0.94	304 11.97	112 4.41	160 6.30	32 1.26	-	11.1 0.437	15.9 0.626	102 4.02	152.4 6.00	19.1 0.750	5/8"x11unc	4	82.6 3.25	4	11 0.43
100 4	95 3.74	128 5.04	228.6 9.00	157.2 6.19	23.9 0.94	334 13.15	124 4.88	178 7.01	32 1.26	-	12.7 0.500	19.0 0.748	102 4.02	190.5 7.50	19.1 0.750	5/8"x11unc	8	82.6 3.25	4	11 0.43
125 5	118 4.65	140 5.51	254.0 10.00	185.7 7.31	23.9 0.94	366 14.41	141 5.55	193 7.60	32 1.26	-	12.7 0.500	19.0 0.748	102 4.02	215.9 8.50	22.2 0.875	3/4"x10unc	8	82.6 3.25	4	11 0.43
150 6	138 5.43	140 5.51	279.4 11.00	215.9 8.50	25.4 1.00	412 16.22	167 6.57	213 8.39	32 1.26	-	12.7 0.500	19.0 0.748	102 4.02	241.3 9.50	22.2 0.875	3/4"x10unc	8	82.6 3.25	4	11 0.43
200 8	188 7.40	152 5.98	342.9 13.50	269.7 10.62	28.4 1.12	467 18.39	195 7.68	240 9.45	32 1.26	-	15.9 0.626	22.2 0.874	152 5.98	298.5 11.75	22.2 0.875	3/4"x10unc	8	127 5.00	4	14 0.55
250 10	235 9.25	165 6.50	406.4 16.00	323.9 12.75	30.2 1.19	552 21.73	220 8.66	280 11.02	52 2.05	-	6.4x6.4 0.25x0.25	28.6 1.126	152 5.98	362.0 14.25	25.4 1.000	7/8"x9unc	12	127 5.00	4	14 0.55
300 12	275 10.83	178 7.01	482.6 19.00	381.0 15.00	31.8 1.25	626 24.64	265 10.43	310 12.20	51 2.01	-	6.4x6.4 0.25x0.25	28.6 1.126	152 5.98	431.8 17.00	25.4 1.000	7/8"x9unc	12	127 5.00	4	14 0.55
350 14	317 12.48	190 7.48	533.4 21.00	412.8 16.25	35.1 1.38	692 27.24	300 11.81	335 13.19	57 2.24	-	8x8 0.31x0.31	34.9 1.374	152 5.98	476.3 18.75	28.6 1.125	1"x8unc	12	127 5.00	4	14 0.55
400 16	359 14.13	216 8.50	596.9 23.50	469.9 18.50	36.6 1.44	809 31.85	340 13.39	393 15.47	76 2.99	-	12.7x12.7 0.50x0.50	47.6 1.874	204 8.03	539.8 21.25	28.6 1.125	1"x8unc	16	165 6.50	4	21 0.83
450 18	416 16.38	222 8.74	635.0 25.00	533.4 21.00	39.6 1.56	878 34.56	375 14.76	427 16.81	76 2.99	-	12.7x12.7 0.50x0.50	47.6 1.874	204 8.03	577.9 22.75	31.8 1.125	1 1/8"x8un	16	165 6.50	4	21 0.83
500 20	467 18.39	229 9.02	698.5 27.50	584.2 23.00	42.9 1.69	926 36.46	400 15.75	450 17.72	76 2.99	-	12.7x12.7 0.50x0.50	54.0 2.126	204 8.03	635.0 25.00	31.8 1.250	1 1/8"x8un	20	165 6.50	4	21 0.83
550 22	508 20.00	267 10.51	749.3 29.50	641.4 25.25	46.0 1.81	1032 40.63	440 17.32	490 19.29	102 4.02	-	19.1x12.7 0.75x0.50	64.9 2.555	290 11.42	692.2 27.25	34.9 1.375	1 1/4"x8un	20	254 10.00	8	19 0.75
600 24	548 21.57	267 10.51	812.8 32.00	692.2 27.25	47.8 1.88	1107 43.59	475 18.70	530 20.87	102 4.02	-	19.1x12.7 0.75x0.50	64.9 2.555	290 11.42	749.3 29.50	34.9 1.375	1 1/4"x8un	20	254 10.00	8	19 0.75
650 26	587 23.11	292 11.50	870.0 34.25	749.3 29.50	68.3 2.69	1172 46.14	505 19.88	565 22.24	102 4.02	-	19.1x12.7 0.75x0.50	64.9 2.555	290 11.42	806.5 31.75	34.9 1.375	1 1/4"x8un	24	254 10.00	8	19 0.75
700 28	638 25.12	292 11.50	927.1 36.50	800.1 31.50	71.4 2.81	1257 49.49	555 21.85	600 23.62	102 4.02	-	19.1x12.7 0.75x0.50	64.9 2.555	290 11.42	863.6 34.00	34.9 1.375	1 1/4"x8un	28	254 10.00	8	19 0.75
750 30	686 27.01	318 12.52	984.3 38.75	857.3 33.75	74.7 2.94	1343 52.87	585 23.03	645 25.39	113 4.45	-	22x14 0.87x0.55	79.9 3.146	330 12.99	914.4 36.00	34.9 1.375	1 1/4"x8un	28	254 10.00	8	19 0.75
800 32	735 28.94	318 12.52	1060.5 41.75	914.4 36.00	81.0 3.19	1398 55.04	615 24.21	670 26.38	113 4.45	-	22x14 0.87x0.55	79.9 3.146	330 12.99	977.9 38.50	41.3 1.625	1 1/2"x8un	28	254 10.00	8	19 0.75
850 34	783 30.83	330 12.99	1111.3 43.75	965.2 38.00	82.6 3.25	1478 58.19	665 26.18	700 27.56	113 4.45	-	22x14 0.87x0.55	79.9 3.146	330 12.99	1028.7 40.50	41.3 1.625	1 1/2"x8un	32	254 10.00	8	19 0.75
900 36	839 33.03	330 12.99	1168.4 46.00	1022.4 40.25	90.4 3.56	1513 59.57	670 26.38	730 28.74	113 4.45	-	22x14 0.87x0.55	79.9 3.146	330 12.99	1085.9 42.75	41.3 1.625	1 1/2"x8un	32	254 10.00	8	19 0.75
950 38	900 35.43	410 16.14	1238.3 48.75	1073.2 42.25	87.4 3.44	1583 62.33	720 28.35	750 29.53	113 4.45	-	22x14 0.87x0.55	79.9 3.146	330 12.99	1149.4 45.25	41.3 1.625	1 1/2"x8un	32	254 10.00	8	19 0.75
1000 40	948 37.32	410 16.14	1289.1 50.75	1124.0 44.25	90.4 3.56	1793 70.59	758 29.84	800 31.12	120 4.72	-	28x16 1.10x0.63	99.9 3.933	-	1200.2 47.25	41.3 1.625	1 1/2"x8un	36	298 11.73	8	23 0.91
1050 42	1002 39.45	430 16.93	1346.2 53.00	1193.8 47.00	96.8 3.81	1850 72.83	790 31.10	860 30.71	120 4.72	-	28x16 1.10x0.63	99.9 3.933	-	1257.3 49.50	41.3 1.625	1 1/2"x8un	36	298 11.73	8	23 0.91
1200 48	1127 44.37	470 18.50	1511.3 59.50	1358.9 53.50	108.0 4.25	2060 81.10	900 35.43	980 34.65	120 4.72	-	28x16 1.10x0.63	99.9 3.933	-	1422.4 56.00	41.3 1.625	1 1/2"x8un	44	298 11.73	8	23 0.91

Dimensions are subject to change without notice.