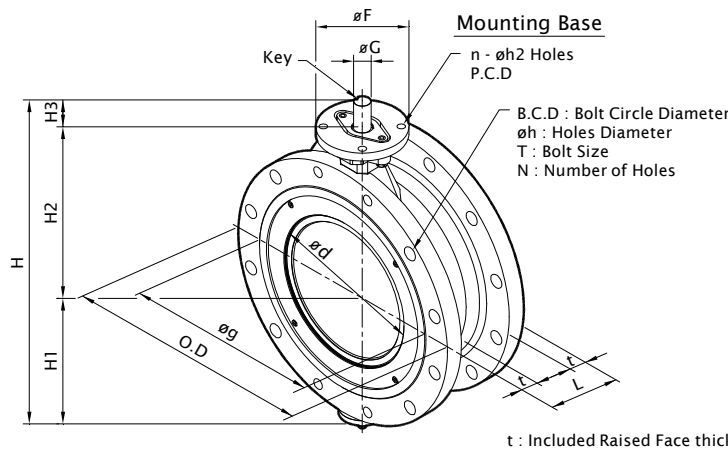
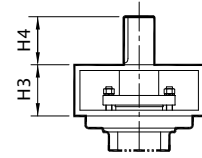


Dimensions - Flanged Type

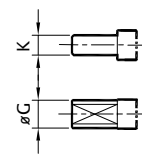
SERIES 400 High Performance Valve



28inch & Larger
Application : Bracket



Shaft Flat Head
2inch to 6inch



Class 300 (ANSI B16.5, ANSI B16.47 Series A)

Size mm inch	ød	L	O.D	øg	t	H	H1	H2	H3	H4	K	øG	øF	Flange Dimensions				Mounting Dimensions		
														B.C.D	øh	T	N	P.C.D	n	øh2
50 2	47 1.85	108 4.25	165.1 6.50	91.9 3.62	22.4 0.88	257 10.12	100 3.94	125 4.92	32 1.26	-	9.5 0.374	14.0 0.551	102 4.02	127.0 5.00	19.1 0.750	5/8"x11unc	8	82.6 3.25	4	11 0.43
65 2.5	61 2.40	112 4.41	190.5 7.50	104.6 4.12	25.4 1.00	283 11.15	102 4.02	149 5.87	32 1.26	-	11.1 0.437	15.9 0.626	102 4.02	149.4 5.88	22.2 0.875	3/4"x10unc	8	82.6 3.25	4	11 0.43
80 3	72 2.83	114 4.49	209.6 8.25	127.0 5.00	28.4 1.12	304 11.97	112 4.41	160 6.30	32 1.26	-	11.1 0.437	15.9 0.626	102 4.02	168.1 6.62	22.2 0.875	3/4"x10unc	8	82.6 3.25	4	11 0.43
100 4	95 3.74	128 5.04	254.0 10.00	157.2 6.19	31.8 1.25	334 13.15	124 4.88	178 7.01	32 1.26	-	12.7 0.500	19.0 0.748	102 4.02	200.2 7.88	22.2 0.875	3/4"x10unc	8	82.6 3.25	4	11 0.43
125 5	118 4.65	140 5.51	279.4 11.00	185.7 7.31	35.1 1.38	366 14.41	141 5.55	193 7.60	32 1.26	-	12.7 0.500	19.0 0.748	102 4.02	235.0 9.25	22.2 0.875	3/4"x10unc	8	82.6 3.25	4	11 0.43
150 6	137 5.39	140 5.51	317.5 12.50	215.9 8.50	36.6 1.44	428 16.85	176 6.93	220 8.66	32 1.26	-	12.7 0.500	19.0 0.748	102 4.02	269.7 10.62	22.2 0.875	3/4"x10unc	12	82.6 3.25	4	11 0.43
200 8	186 7.32	152 5.98	381.0 15.00	269.7 10.62	41.1 1.62	526 20.71	215 8.46	260 10.24	51 2.01	-	6.4x6.4 0.25x0.25	28.6 1.126	152 5.98	330.2 13.00	25.4 1.000	7/8"x9unc	12	127 5.00	4	14 0.55
250 10	230 9.06	165 6.50	444.5 17.50	323.9 12.75	47.8 1.88	583 22.96	242 9.53	290 11.42	51 2.01	-	6.4x6.4 0.25x0.25	28.6 1.126	152 5.98	387.4 15.25	28.6 1.125	1"x8unc	16	127 5.00	4	14 0.55
300 12	274 10.79	178 7.01	520.7 20.50	381.0 15.00	50.8 2.00	649 25.56	273 10.75	325 12.80	51 2.01	-	8x8 0.31x0.31	34.9 1.374	152 5.98	450.9 17.75	31.8 1.250	1 1/8"x8unc	16	127 5.00	4	14 0.55
350 14	313 12.32	190 7.48	584.2 23.00	412.8 16.25	53.8 2.12	776 30.55	325 12.80	375 14.76	76 2.99	-	12.7x12.7 0.50x0.50	47.6 1.874	204 8.03	514.4 20.25	31.8 1.250	1 1/8"x8unc	20	165 6.50	4	21 0.83
400 16	356 14.02	216 8.50	647.7 25.50	469.9 18.50	57.2 2.25	866 34.09	365 14.37	425 16.73	76 2.99	-	12.7x12.7 0.50x0.50	53.9 2.122	204 8.03	571.5 22.50	34.9 1.375	1 1/4"x8unc	20	165 6.50	4	21 0.83
450 18	413 16.26	222 8.74	711.2 28.00	533.4 21.00	60.5 2.38	977 38.47	410 16.14	465 18.31	102 4.02	-	19.1x12.7 0.75x0.50	64.9 2.555	290 11.42	628.7 24.75	34.9 1.375	1 1/4"x8unc	24	254 10.00	8	19 0.75
500 20	466 18.35	229 9.02	774.7 30.50	584.2 23.00	63.5 2.50	1057 41.62	450 17.72	505 19.88	102 4.02	-	19.1x12.7 0.75x0.50	64.9 2.555	290 11.42	685.8 27.00	34.9 1.375	1 1/4"x8unc	24	254 10.00	8	19 0.75
600 24	546 21.50	267 10.51	914.4 36.00	692.2 27.25	69.9 2.75	1215 47.83	522 20.55	580 22.83	113 4.45	-	22x14 0.87x0.55	79.9 3.146	330 12.99	812.8 32.00	41.3 1.625	1 1/2"x8unc	24	254 10.00	8	19 0.75
650 26	602 23.70	292 11.50	971.6 38.25	749.3 29.50	79.5 3.13	1303 51.30	560 22.05	630 24.80	113 4.45	-	22x14 0.87x0.55	79.9 3.146	330 12.99	876.3 34.50	44.5 1.750	1 5/8"x8unc	28	254 10.00	8	19 0.75
700 28	646 25.43	292 11.50	1035.1 40.75	800.1 31.50	85.9 3.38	1530 60.24	610 24.02	640 25.20	120 4.72	120	28x16 1.10x0.63	99.9 3.933	-	939.8 37.00	44.5 1.750	1 5/8"x8unc	28	298 11.73	8	23 0.91
750 30	690 27.17	318 12.52	1092.2 43.00	857.3 33.75	92.2 3.63	1590 62.59	660 25.98	650 25.59	120 4.72	120	28x16 1.10x0.63	99.9 3.933	-	997.0 39.25	47.6 1.875	1 3/4"x8unc	28	298 11.73	8	23 0.91
800 32	750 29.53	318 12.52	1149.4 45.25	914.4 36.00	98.6 3.88	1660 65.35	700 27.56	680 26.77	120 4.72	120	28x16 1.10x0.63	99.9 3.933	-	1054.1 41.50	50.8 2.000	1 7/8"x8unc	28	298 11.73	8	23 0.91
900 36	850 33.46	330 12.99	1270.0 50.00	1022.4 40.25	104.9 4.13	1810 71.25	755 29.72	760 29.92	135 5.31	135	32x18 1.26x0.71	119.9 4.720	-	1168.4 46.00	54.0 2.125	2"x8unc	32	298 11.73	8	23 0.91
950 38	896 35.28	410 16.14	1168.4 46.00	1028.7 40.50	108.0 4.25	1785 70.27	740 29.13	750 29.53	135 5.31	135	32x18 1.26x0.71	119.9 4.720	-	1092.2 43.00	41.3 1.625	1 1/2"x8unc	32	298 11.73	8	23 0.91
1000 40	934 36.77	412 16.22	1238.3 48.75	1085.9 42.75	114.3 4.50	1858 73.15	758 29.84	780 30.71	170 6.69	170	36x20 1.42x0.79	139.9 5.508	-	1155.7 45.50	44.5 1.750	1 5/8"x8unc	32	356 14.02	8	33 1.30
1200 48	1094 43.07	470 18.50	1466.9 57.75	1301.8 51.25	133.4 5.25	2190 86.21	885 34.84	930 36.61	200 7.87	175	45x25 1.77x0.98	178.8 7.039	-	1371.6 54.00	50.8 2.000	1 7/8"x8unc	32	406 15.98	8	39 1.54

■ Dimensions are subject to change without notice.

REV.1