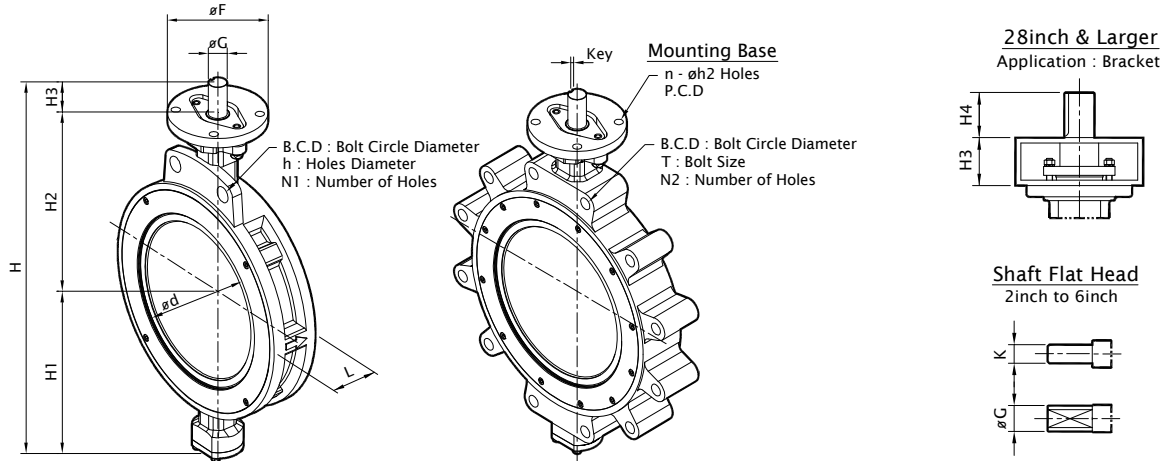


Dimensions -Wafer & Lug Type

SERIES 400 High Performance Valve



Class 300 (ANSI B16.5, ANSI B16.47 Series A)

Size mm inch	ød	L	H	H1	H2	H3	H4	K	øG	øF	Flange Dimensions				Mounting Dimensions			
											B.C.D	øh	T	N1	N2	P.C.D	n	øh2
50	47	44	257	100	125	32	-	9.5	14.0	102	127.0	19.1	5/8"x11unc	2	8	82.6	4	11
2	1.85	1.73	10.12	3.94	4.92	1.26	-	0.374	0.551	4.02	5.00	0.750	3/4"x10unc	2	8	3.25	4	0.43
65	61	48	283	102	149	32	-	11.1	15.9	102	149.4	22.2	3/4"x10unc	2	8	82.6	4	11
2.5	2.40	1.89	11.15	4.02	5.87	1.26	-	0.437	0.626	4.02	5.88	0.875	3/4"x10unc	2	8	3.25	4	0.43
80	72	49	304	112	160	32	-	11.1	15.9	102	168.1	22.2	3/4"x10unc	2	8	82.6	4	11
3	2.83	1.93	11.97	4.41	6.30	1.26	-	0.437	0.626	4.02	6.62	0.875	3/4"x10unc	2	8	3.25	4	0.43
100	95	54	334	124	178	32	-	12.7	19.0	102	200.2	22.2	3/4"x10unc	2	8	82.6	4	11
4	3.74	2.13	13.15	4.88	7.01	1.26	-	0.500	0.748	4.02	7.88	0.875	3/4"x10unc	2	8	3.25	4	0.43
125	118	57	366	141	193	32	-	12.7	19.0	102	235.0	22.2	3/4"x10unc	2	8	82.6	4	11
5	4.65	2.24	14.41	5.55	7.60	1.26	-	0.500	0.748	4.02	9.25	0.875	3/4"x10unc	2	8	3.25	4	0.43
150	137	59	428	176	220	32	-	12.7	19.0	102	269.7	22.2	3/4"x10unc	2	12	82.6	4	11
6	5.39	2.32	16.85	6.93	8.66	1.26	-	0.500	0.748	4.02	10.62	0.875	3/4"x10unc	2	12	3.25	4	0.43
200	186	73	526	215	260	51	-	6.4x6.4	28.6	152	330.2	25.4	7/8"x9unc	2	12	127	4	14
8	7.32	2.87	20.71	8.46	10.24	2.01	-	0.25x0.25	1.126	5.98	13.00	1.000	7/8"x9unc	2	12	5.00	4	0.55
250	230	83	583	242	290	51	-	6.4x6.4	28.6	152	387.4	-	1"x8unc	4	16	127	4	14
10	9.06	3.27	22.96	9.53	11.42	2.01	-	0.25x0.25	1.126	5.98	15.25	-	1"x8unc	4	16	5.00	4	0.55
300	274	92	649	273	325	51	-	8x8	34.9	152	450.9	-	1 1/8"x8un	4	16	127	4	14
12	10.79	3.62	25.56	10.75	12.80	2.01	-	0.31x0.31	1.374	5.98	17.75	-	1 1/8"x8un	4	16	5.00	4	0.55
350	313	117	776	325	375	76	-	12.7x12.7	47.6	204	514.4	-	1 1/8"x8un	4	20	165	4	21
14	12.32	4.61	30.55	12.80	14.76	2.99	-	0.50x0.50	1.874	8.03	20.25	-	1 1/8"x8un	4	20	6.50	4	0.83
400	356	133	866	365	425	76	-	12.7x12.7	53.9	204	571.5	-	1 1/4"x8un	4	20	165	4	21
16	14.02	5.24	34.09	14.37	16.73	2.99	-	0.50x0.50	2.122	8.03	22.50	-	1 1/4"x8un	4	20	6.50	4	0.83
450	413	149	977	410	465	102	-	19.1x12.7	64.9	290	628.7	-	1 1/4"x8un	4	24	254	8	19
18	16.26	5.87	38.47	16.14	18.31	4.02	-	0.75x0.50	2.555	11.42	24.75	-	1 1/4"x8un	4	24	10.00	8	0.75
500	466	159	1057	450	505	102	-	19.1x12.7	64.9	290	685.8	-	1 1/4"x8un	4	24	254	8	19
20	18.35	6.26	41.62	17.72	19.88	4.02	-	0.75x0.50	2.555	11.42	27.00	-	1 1/4"x8un	4	24	10.00	8	0.75
600	546	181	1215	522	580	113	-	22x14	79.9	330	812.8	-	1 1/2"x8un	4	24	254	8	19
24	21.50	7.13	47.83	20.55	22.83	4.45	-	0.87x0.55	3.146	12.99	32.00	-	1 1/2"x8un	4	24	10.00	8	0.75
650	602	210	1303	560	630	113	-	22x14	79.9	330	876.3	-	1 5/8"x8un	4	28	254	8	19
26	23.70	8.27	51.30	22.05	24.80	4.45	-	0.87x0.55	3.146	12.99	34.50	-	1 5/8"x8un	4	28	10.00	8	0.75
700	646	229	1530	610	640	160	120	28x16	99.9	-	939.8	-	1 5/8"x8un	4	28	298	8	23
28	25.43	9.02	60.24	24.02	25.20	6.30	4.72	1.10x0.63	3.933	-	37.00	-	1 5/8"x8un	4	28	11.73	8	0.91
750	690	230	1590	660	650	160	120	28x16	99.9	-	997.0	-	1 3/4"x8un	4	28	298	8	23
30	27.17	9.06	62.59	25.98	25.59	6.30	4.72	1.10x0.63	3.933	-	39.25	-	1 3/4"x8un	4	28	11.73	8	0.91
800	750	241	1660	700	680	160	120	28x16	99.9	-	1054.1	-	1 7/8"x8un	4	28	298	8	23
32	29.53	9.49	65.35	27.56	26.77	6.30	4.72	1.10x0.63	3.933	-	41.50	-	1 7/8"x8un	4	28	11.73	8	0.91
900	850	273	1810	755	760	160	135	32x18	119.9	-	1168.4	-	2"x8un	8	32	298	8	23
36	33.46	10.75	71.25	29.72	29.92	6.30	5.31	1.26x0.71	4.720	-	46.00	-	2"x8un	8	32	11.73	8	0.91
950	896	300	1785	740	750	160	135	32x18	119.9	-	1092.2	-	1 1/2"x8un	8	32	298	8	23
38	35.28	11.81	70.27	29.13	29.53	6.30	5.31	1.26x0.71	4.720	-	43.00	-	1 1/2"x8un	8	32	11.73	8	0.91
1000	934	300	1858	758	780	170	150	36x20	139.9	-	1155.7	-	1 5/8"x8un	8	32	356	8	33
40	36.77	11.81	73.15	29.84	30.71	6.69	5.91	1.42x0.79	5.508	-	45.50	-	1 5/8"x8un	8	32	14.02	8	1.30
1200	1094	350	2190	885	930	200	175	45x25	178.8	-	1371.6	-	1 7/8"x8un	8	32	406	8	39
48	43.07	13.78	86.21	34.84	36.61	7.87	6.89	1.77x0.98	7.039	-	54.00	-	1 7/8"x8un	8	32	15.98	8	1.54

■ Dimensions are subject to change without notice.

REV.1