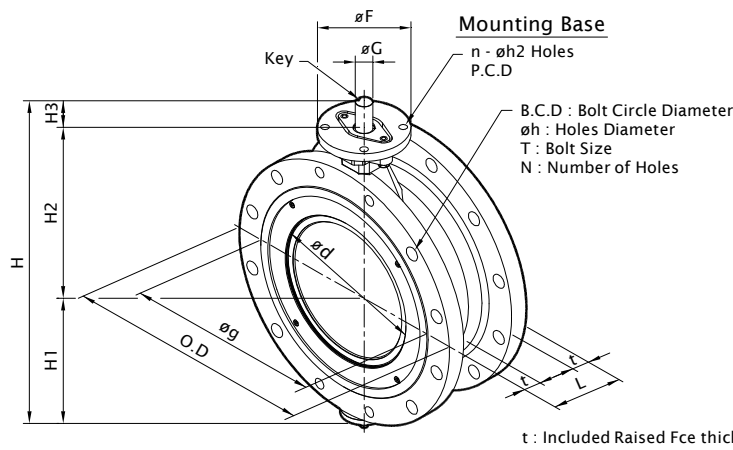
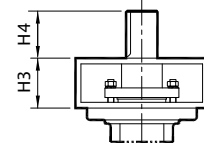


Dimensions - Flanged Type

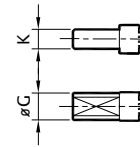
SERIES 400 High Performance Valve



20inch & Larger
Application : Bracket



Shaft Flat Head
3inch to 4inch



Class 600 (ANSI B16.5)

Size mm inch	ød	L	O.D	øg	t	H	H1	H2	H3	H4	K	øG	øF	Flange Dimensions				Mounting Dimensions		
														B.C.D	øh	T	N	P.C.D	n	øh2
80 3	74 2.91	180 7.09	209.6 8.25	127.0 5.00	38.1 1.50	322 12.67	125 4.92	167 6.57	30 1.18	-	12.7 0.500	19.0 0.748	102 4.02	168.1 6.62	22.2 0.875	3/4"x10unc	8	82.6 3.25	4	11 0.43
100 4	96 3.78	190 7.48	273.1 10.75	157.2 6.19	44.5 1.75	372 14.65	145 5.71	195 7.68	32 1.26	-	15.9 0.626	22.2 0.874	152 5.98	215.9 8.50	25.4 1.000	7/8"x9unc	8	127 5.00	4	14 0.55
150 6	132 5.20	210 8.27	355.6 14.00	215.9 8.50	54.1 2.13	502 19.76	205 8.07	240 9.45	57 2.24	-	8x8	34.9 1.374	152 5.98	292.1 11.50	28.6 1.125	1"x8unc	12	127 5.00	4	14 0.55
200 8	174 6.85	230 9.06	419.1 16.50	269.7 10.62	62.0 2.44	606 23.86	240 9.45	290 11.42	76 2.99	-	12.7x12.7	47.6 1.874	204 8.03	349.3 13.75	31.8 1.250	1 1/8"x8unc	12	165 6.50	4	21 0.83
250 10	223 8.78	250 9.84	508.0 20.00	323.9 12.75	69.9 2.75	691 27.20	280 11.02	335 13.19	76 2.99	-	12.7x12.7	47.6 1.874	204 8.03	431.8 17.00	34.9 1.375	1 1/4"x8unc	16	165 6.50	4	21 0.83
300 12	269 10.59	270 10.63	558.8 22.00	381.0 15.00	72.9 2.87	810 31.90	323 12.72	385 15.16	102 4.02	-	19.1x12.7	59.9 2.358	290 11.42	489.0 19.25	34.9 1.375	1 1/4"x8unc	20	254 10.00	8	19 0.75
350 14	300 11.81	290 11.42	603.3 23.75	412.8 16.25	76.2 3.00	907 35.72	370 14.57	435 17.13	102 4.02	-	19.1x12.7	64.9 2.555	290 11.42	527.1 20.75	38.1 1.500	1 3/8"x8unc	20	254 10.00	8	19 0.75
400 16	349 13.74	310 12.20	685.8 27.00	469.9 18.50	82.6 3.25	982 38.66	405 15.94	475 18.70	102 4.02	-	19.1x12.7	64.9 2.555	290 11.42	603.3 23.75	41.3 1.625	1 1/2"x8unc	20	254 10.00	8	19 0.75
450 18	396 15.59	330 12.99	743.0 29.25	533.4 21.00	88.9 3.50	1063 41.86	450 17.72	500 19.69	113 4.45	-	22x14	79.9 3.146	330 12.99	654.1 25.75	44.5 1.750	1 5/8"x8unc	20	254 10.00	8	19 0.75
500 20	450 17.72	350 13.78	812.8 32.00	584.2 23.00	95.3 3.75	1223 48.15	490 19.29	500 19.69	120 4.72	113 4.45	22x14	79.9 3.146	-	723.9 28.50	44.5 1.750	1 5/8"x8unc	24	254 10.00	8	19 0.75
600 24	546 21.50	390 15.35	939.8 37.00	692.2 27.25	108.0 4.25	1445 56.88	585 23.03	580 22.83	120 4.72	120 4.72	28x16	99.9 3.933	-	838.2 33.00	50.8 2.000	1 7/8"x8unc	24	298 11.73	8	23 0.91

■ Dimensions are subject to change without notice.

REV.1