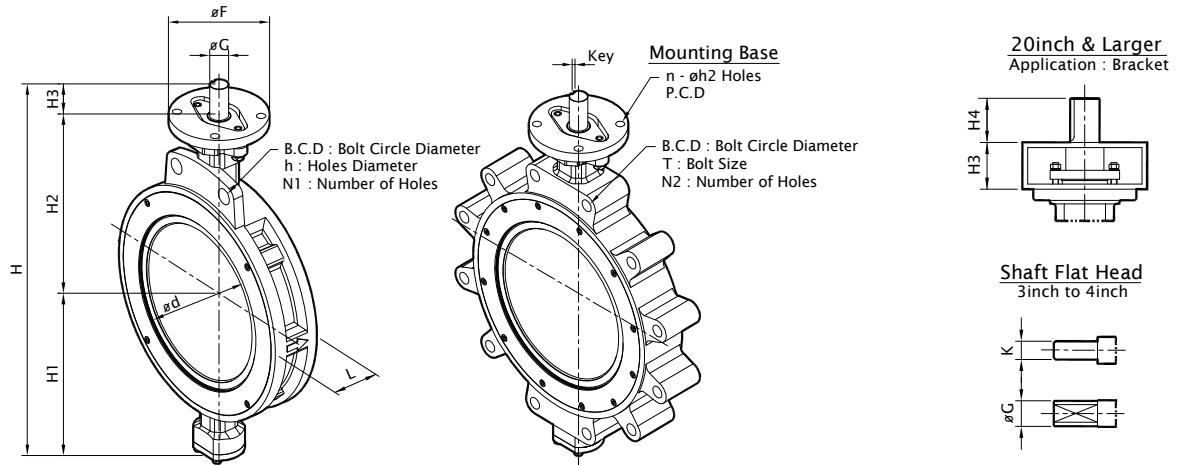


Dimensions -Wafer & Lug Type

SERIES 400 High Performance Valve



Class 600 (ANSI B16.5)

Size mm inch	ød	L	H	H1	H2	H3	H4	K	øG	øF	Flange Dimensions				Mounting Dimensions			
											B.C.D	øh	T	N1	N2	P.C.D	n	øh2
80 3	74 2.91	55 2.17	322 12.67	125 4.92	167 6.57	30 1.18	-	12.7 0.500	19.0 0.748	102 4.02	168.1 6.62	22.2 0.875	3/4"x10unc	2	8	82.6 3.25	4	11 0.43
100 4	96 3.78	64 2.52	372 14.65	145 5.71	195 7.68	32 1.26	-	15.9 0.626	22.2 0.874	152 5.98	215.9 8.50	25.4 1.000	7/8"x9unc	2	8	127.0 5.00	4	14 0.55
150 6	132 5.20	78 3.07	502 19.76	205 8.07	240 9.45	57 2.24	-	8x8 0.31x0.31	34.9 1.374	152 5.98	292.1 11.50	-	1"x8unc	4	12	127.0 5.00	4	14 0.55
200 8	174 6.85	103 4.06	606 23.86	240 9.45	290 11.42	76 2.99	-	12.7x12.7 0.50x0.50	47.6 1.874	204 8.03	349.3 13.75	-	1 1/8"x8un	4	12	165.0 6.50	4	21 0.83
250 10	223 8.78	117 4.61	691 27.20	280 11.02	335 13.19	76 2.99	-	12.7x12.7 0.50x0.50	47.6 1.874	204 8.03	431.8 17.00	-	1 1/4"x8un	4	16	165.0 6.50	4	21 0.83
300 12	269 10.59	140 5.51	810 31.90	323 12.72	385 15.16	102 4.02	-	19.1x12.7 0.75x0.50	59.9 2.358	290 11.42	489.0 19.25	-	1 1/4"x8un	4	20	254.0 10.00	8	19 0.75
350 14	300 11.81	155 6.10	907 35.72	370 14.57	435 17.13	102 4.02	-	19.1x12.7 0.75x0.50	64.9 2.555	290 11.42	527.1 20.75	-	1 3/8"x8un	4	20	254.0 10.00	8	19 0.75
400 16	349 13.74	178 7.01	982 38.66	405 15.94	475 18.70	102 4.02	-	19.1x12.7 0.75x0.50	64.9 2.555	290 11.42	603.3 23.75	-	1 1/2"x8un	4	20	254.0 10.00	8	19 0.75
450 18	396 15.59	200 7.87	1063 41.86	450 17.72	500 19.69	113 4.45	-	22x14 0.87x0.55	79.9 3.146	330 12.99	654.1 25.75	-	1 5/8"x8un	4	20	254.0 10.00	8	19 0.75
500 20	450 17.72	216 8.50	1223 48.15	490 19.29	500 19.69	120 4.72	113	22x14 0.87x0.55	79.9 3.146	-	723.9 28.50	-	1 5/8"x8un	4	24	254.0 10.00	8	19 0.75
600 24	546 21.50	232 9.13	1445 56.88	585 23.03	580 22.83	160 6.30	120	28x16 1.10x0.63	99.9 3.933	-	838.2 33.00	-	1 7/8"x8un	4	24	298.0 11.73	8	23 0.91

■ Dimensions are subject to change without notice.

REV.1