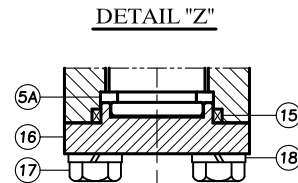
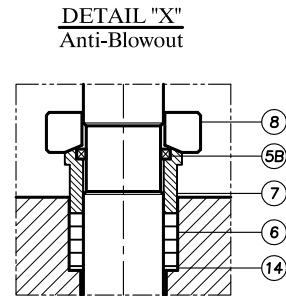
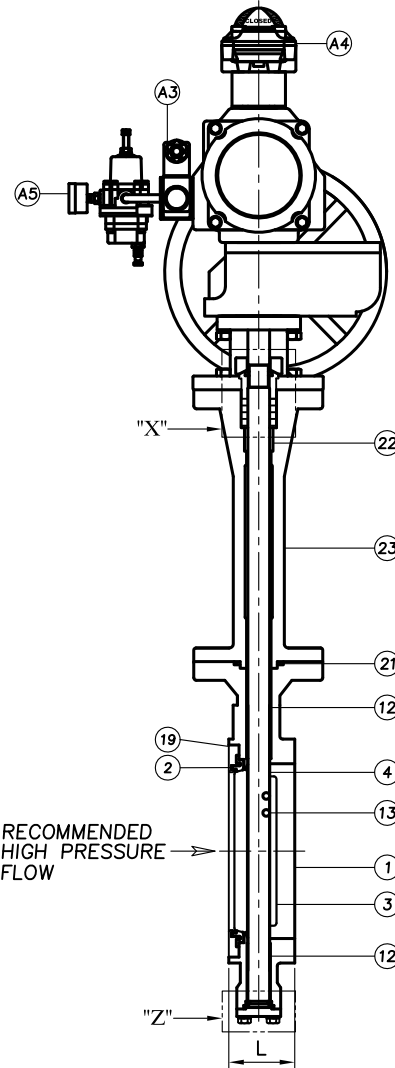
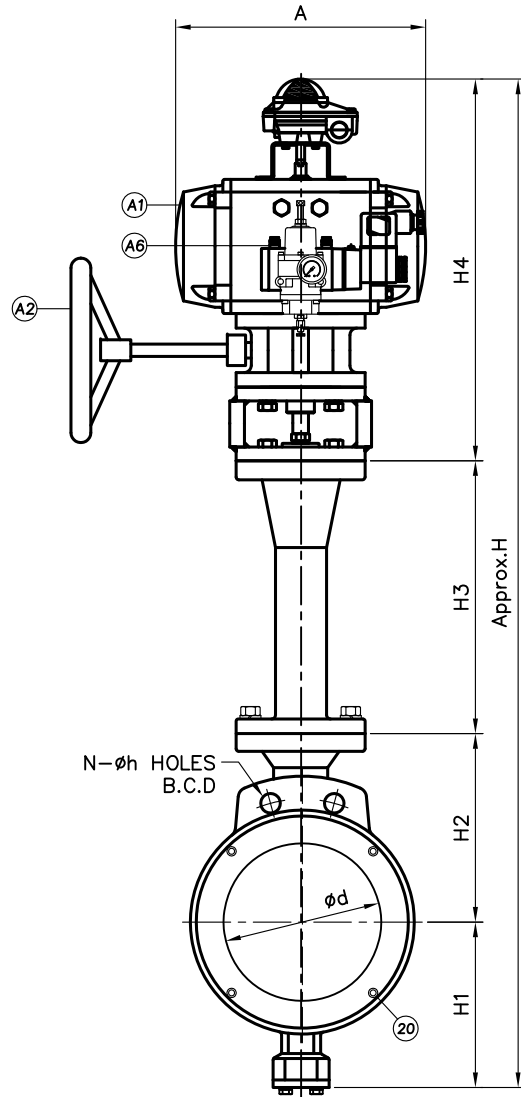


Size		d	L	B.C.D	N	øh	H	H1	H2	H3	H4	A
inch	mm											
6	150	138	76	241.3	2	22.2	1085	167	188	400	330	409

Note

1. Design : ANSI B16.34 & API 609
2. Face to Face Dimension : 76mm
3. Flange Connection : ANSI B16.5 Class 150
4. Fire Safe Design : API 607 6th Edition
5. Model No. : HW-A1-6-6-N-K6-G-D-CALS



Material According to ASTM

No.	Part Name	Material	Q'ty	Remarks
1	Body	A351-CF8M	1	
2	Seat Ring	A240-316 + PCTFE	1	
3	Disc	A351-CF8M	1	
4	Stem	A276-XM19	1	Nitronic 50
5A	Retainer Ring	A276-316	1	
5B	Anti Blowout Ring	A276-316	1	
6	Packing	GRAPHITE	1set	
7	Packing Gland	A276-316	1	
8	Gland Flange	A351-CF8	1	
9	Gland Bolt	304 Stainless Steel	1set	
10	Gland Nut	304 Stainless Steel	1set	
11	Spring Washer	304 Stainless Steel	1set	
12	Bush Bearing	A240-316 & RTFE	2	
13	Disc Pin	A276-XM19	1set	Nitronic 50
14	Packing Retainer	A276-316	1	
15	Cap Packing	GRAPHITE	1	
16	Cap	A351-CF8M	1	
17	Cap Bolt	A2-70	1set	
18	Spring Washer	304 Stainless Steel	1set	
19	Seat Retainer	A240-316	1	
20	Retainer Bolt	A2-70	1set	
21	Bonnet Gasket	GRAPHITE	1	
22	Bonnet Bush	A276-316 & ENP	1	
23	Extended Bonnet	A351-CF8M	1	
A1	Actuator	ASS'Y	1	AT450D
A2	Override Handwheel	ASS'Y	1	Declutch-Type
A3	Solenoid	ASS'Y	1	341Y312
A4	Limit Switch	ASS'Y	1	APL210
A5	Air Set	ASS'Y	1	YT200
A6	Speed Controller & Silencer	ASS'Y	1set	ASM2

△	Date	Revision	Checked	Approved
Test Pressure(Barg)		Hydraulic		Air
API 598		Shell	30	Seat - Seat 6
<b>TA valve Corporation</b>				
Title <b>High Performance Cryogenic Butterfly Valve</b> Class 150 - Wafer Type				Scale NS
DWG No. 1706-Q0401-06BA				File No. 1706Q0401_06BA
Date '17. 06. 15	Drawn <i>Kimss</i>	Checked <i>Younys</i>	Approved <i>Choiyy</i>	